

Technical data sheet

Chuck jaw, heavy-duty TKS FT

Item number: 6355800



Heavy-duty chuck jaw with hexagonal nut for direct fastening of structures to steel girders.
The clamping range of the chuck jaw is limited to the maximum fastening thickness, 30 mm.



St Steel

FT Hot-dip galvanised

Master data

Item number	6355800
Type	TKS-S-30 FT
Description 1	Tensioning claw, heavy
Description 2	with combination nut
Manufacturer	OBO
Dimension	M12x75
Material	Steel
Surface	Hot-dip galvanised
Surface standard	DIN EN ISO 1461
Smallest sales unit	10
Unit of quantity	Pair
Weight	84 kg
Weight unit	kg/100 pairs

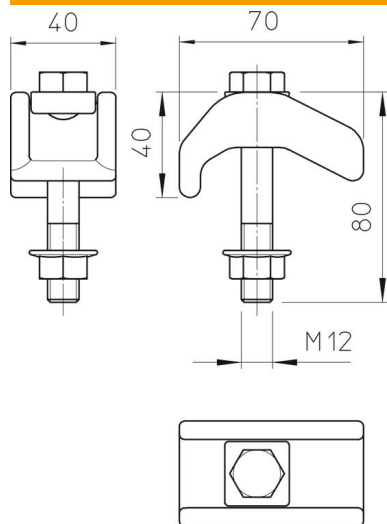
Technical data sheet

Chuck jaw, heavy-duty TKS FT

Item number: 6355800



Dimensions



Height	30 mm
--------	-------

Technical data

F in kN	21 kN
Suitable for flange thickness, max.	30 mm
Suitable for flange thickness, min.	20 mm
Thread metric	12
Bolt	M12 x 75